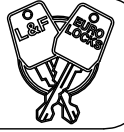
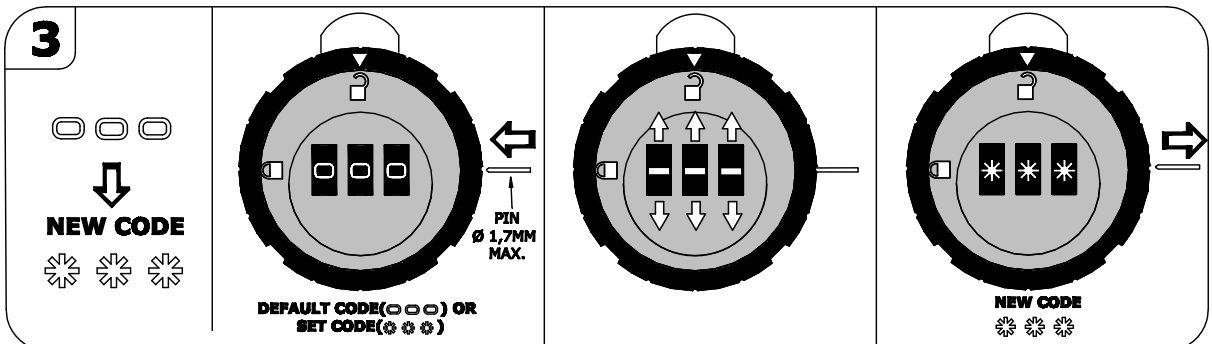
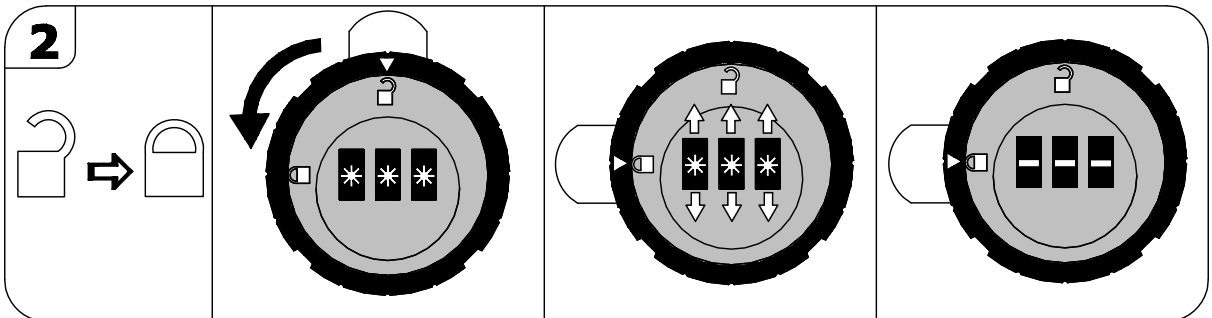
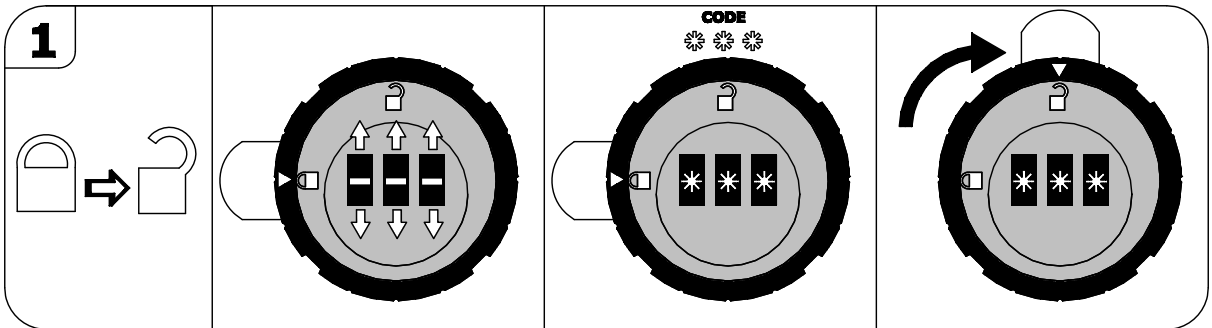




OPERATING INSTRUCTIONS COMBINATION LOCK A138



- ON DELIVERY, LOCK IS FACTORY SET TO THE DEFAULT CODE **0 0 0**. FOR SAFETY REASONS SET LOCK IMMEDIATELY TO YOUR OWN PERSONAL CODE (SEE POINT 3 BELOW).
- TO SET THE CODE USE A SOLID PIN WITH AN DIAMETER OF MAX. \varnothing 1,7MM. DO NOT USE A WOOD PIN!
- DO NOT LUBRICATE THE CODE WHEELS.
- MAKE SURE THAT CAM MOVES FREELY WHILE OPERATING THE LOCK.
- LOCK OPERABLE WITHIN A TEMPERATURE RANGE OF 0° TO 50°C (32°F TO 120°F)
- DO NOT EXPOSE LOCK TO ENVIRONMENTAL INFLUENCES (MOISTURE, FIRE, DUST, ETC)
- CLEAN LOCK WITH A DAMP CLOTH. DO NOT USE CHEMICAL PRODUCTS!
- DO NOT INSERT FOREIGN OBJECTS IN THE CODE WHEELS.
- CAM IS FIXED BY SELF-TAPPING SCREW. TORQUE TO TIGHTEN SCREW MAX.2Nm
- MAXIMUM PANEL THICKNESS 12MM



EURO-LOCKS SICHERHEITSEINRICHTUNGEN GMBH
 AM BRUCHWALD 22, D-66280 SULZBACH/NEUWEILER
 TEL: +49-(0)6897-9072-0 FAX: +49-(0)6897-9072-99
 WEB: WWW.EURO-LOCKS.EU MAIL: VERTRIEB@EURO-LOCKS.DE