

Product Information

Pedestal Heights



Issue 2

Date 14.3.06

Standard BIP Drawer Configurations

Pedestal Height
by Modules

9 module

Drawer type	Dim	
	mm	module
Stationery	150	3
File	300	6

Drawer type	Dim	
	mm	module
Stationery	150	3
Stationery	150	3
Stationery	150	3

Drawer type	Dim	
	mm	module
Pentray	50	1
Personal	100	2
File	300	6

Drawer type	Dim	
	mm	module
Pentray	50	1
Personal	100	2
Stationery	150	3
Stationery	150	3

10 module

Personal	100	2
Personal	100	2
File	300	6

Personal	100	2
Personal	100	2
Stationery	150	3
Stationery	150	3

Pentray	50	1
Stationery	150	3
File	300	6

Personal	100	2
Personal	100	2
Stationery	150	3
Stationery	150	3

11 module

Personal	100	2
Stationery	150	3
File	300	6

Personal	100	2
Stationery	150	3
Stationery	150	3
Stationery	150	3

Personal	100	2
Stationery	150	3
File	300	6

Personal	100	2
Stationery	150	3
Stationery	150	3
Stationery	150	3

12 module

File	300	6
File	300	6

Stationery	150	3
Stationery	150	3
File	300	6

Stationery	150	3
Stationery	150	3
Stationery	150	3
Stationery	150	3

Pentray	50	1
Personal	100	2
Stationery	150	3
File	300	6

Drawer type	Dim	
	mm	module
Pentray	50	1
Personal	100	2
Stationery	150	3
Stationery	150	3
Stationery	150	3

13 module

Personal	100	2
Personal	100	2
Stationery	150	3
File	300	6

Pentray Dwr	50	1
Stationery	150	3
Stationery	150	3
File	300	6

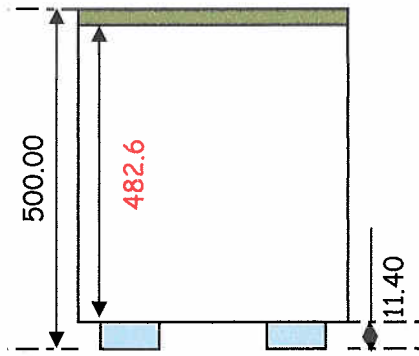
Pentray Dwr	50	1
File	300	6
File	300	6

Drawer
References

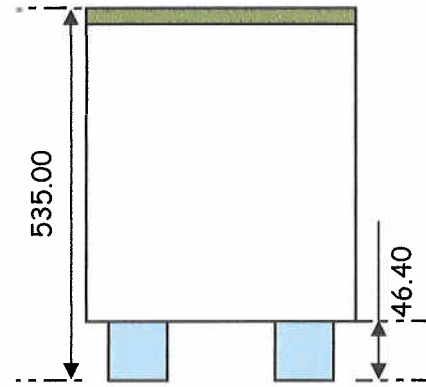
Pentray Drawer P
Personal Drawer A, C, D

Stationery Drawer B, E, F
File Drawer H,

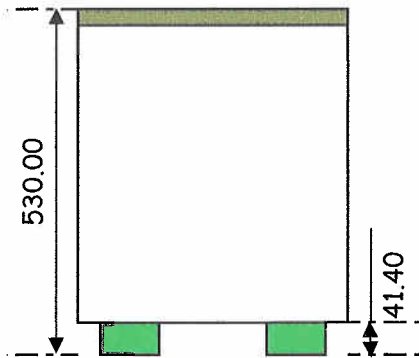
9 Mod Pedestal with 6mm Top Panel



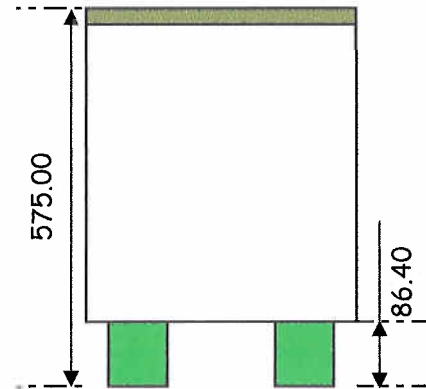
G LEVELLERS AT LOWEST POINT



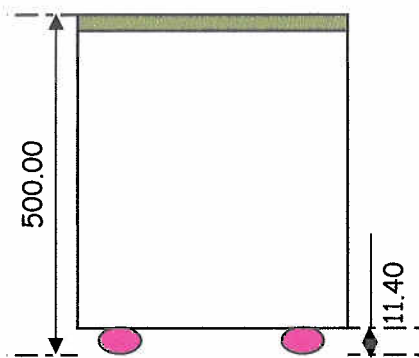
G LEVELLERS AT HIGHEST POINT



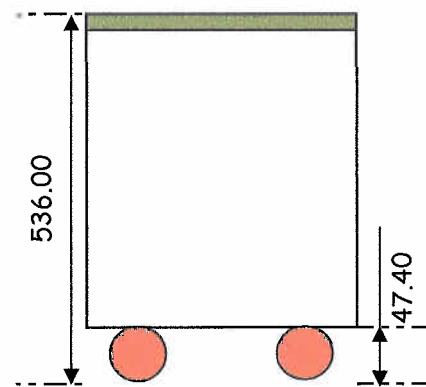
F LEVELLERS AT LOWEST POINT



F LEVELLERS AT HIGHEST POINT

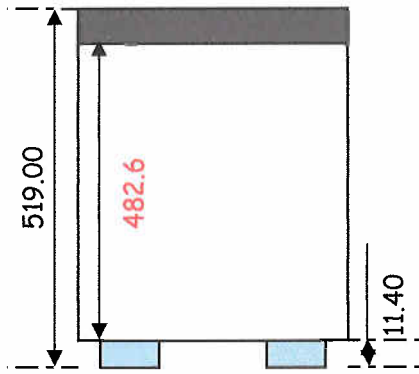


M CASTOR

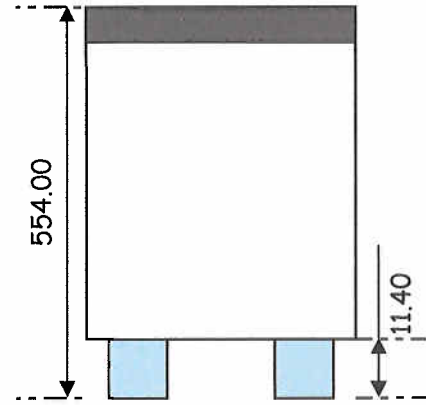


J CASTOR

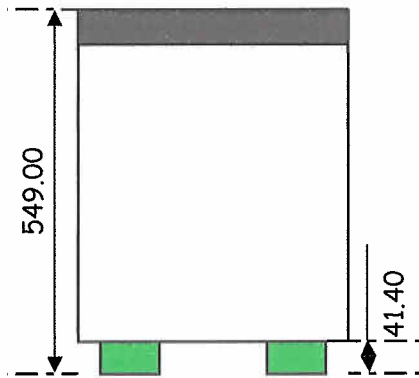
9 Mod Pedestal with 25mm Top Panel



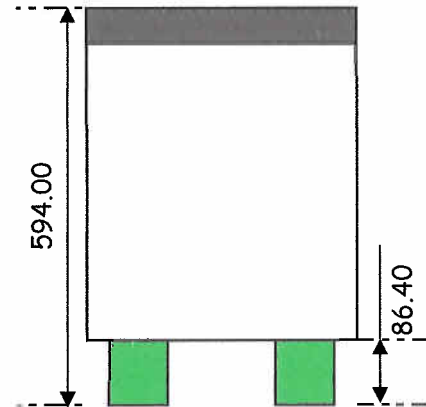
G LEVELLERS AT LOWEST POINT



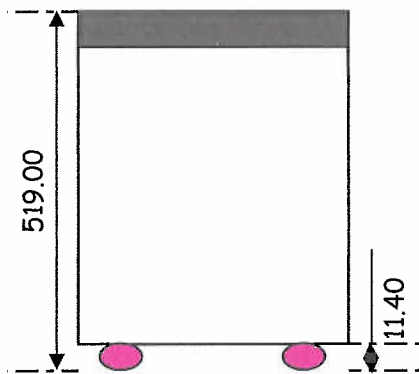
G LEVELLERS AT HIGHEST POINT



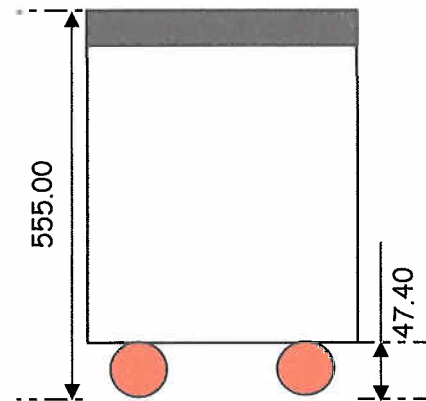
F LEVELLERS AT LOWEST POINT



F LEVELLERS AT HIGHEST POINT

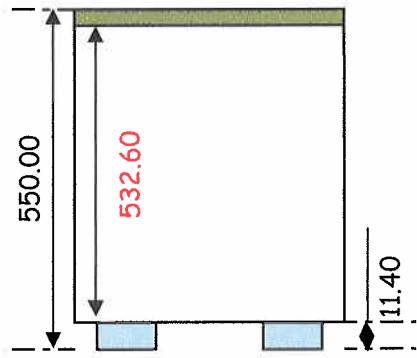


M CASTOR

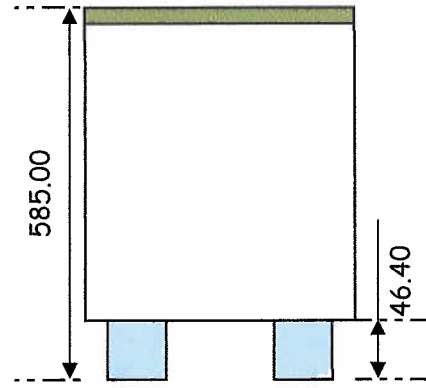


J CASTOR

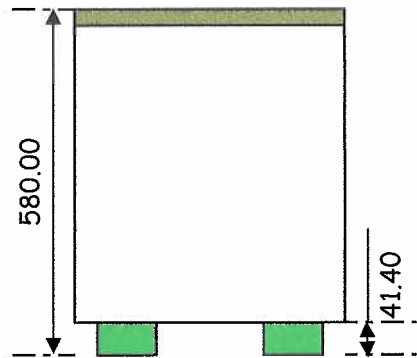
10 Mod Pedestal with 6mm Top Panel



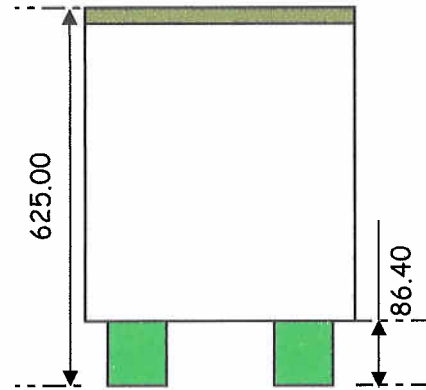
G LEVELLERS AT LOWEST POINT



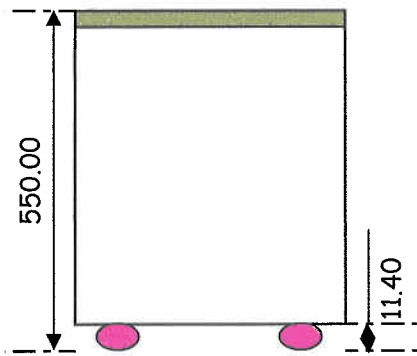
G LEVELLERS AT HIGHEST POINT



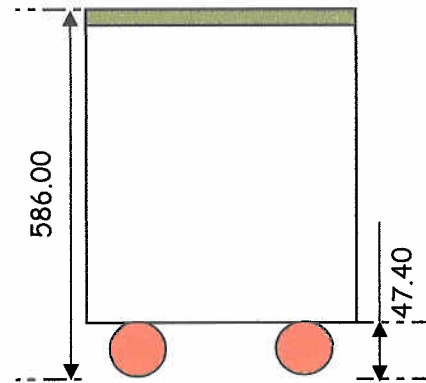
F LEVELLERS AT LOWEST POINT



F LEVELLERS AT HIGHEST POINT

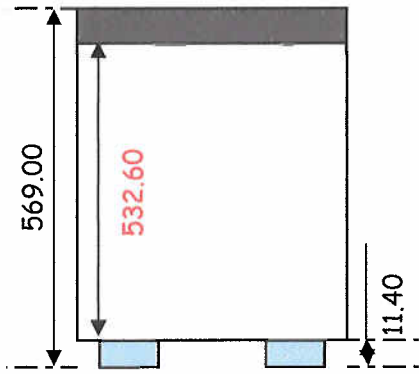


M CASTOR

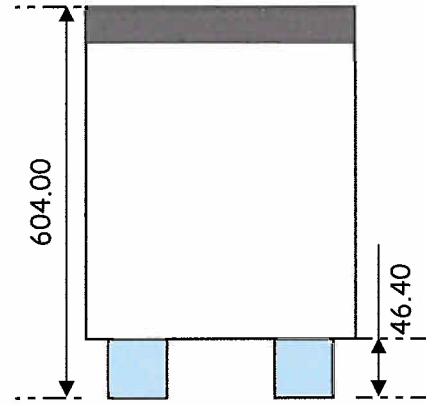


J CASTOR

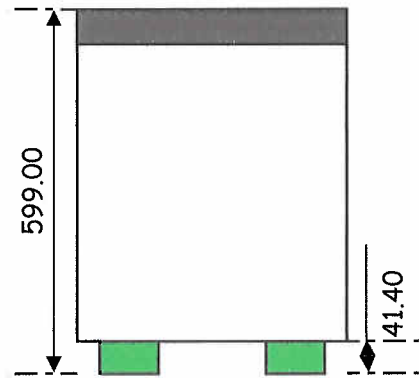
10 Mod Pedestal with 25mm Top Panel



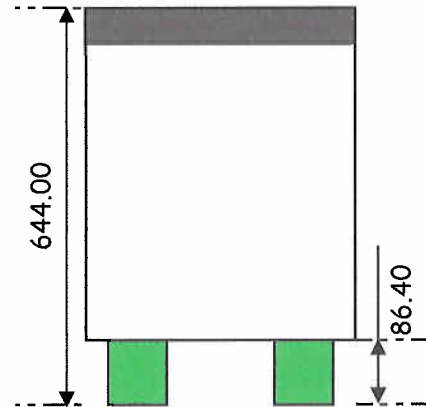
6 LEVELLERS AT LOWEST POINT



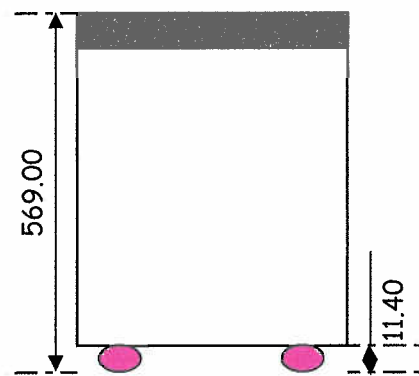
6 LEVELLERS AT HIGHEST POINT



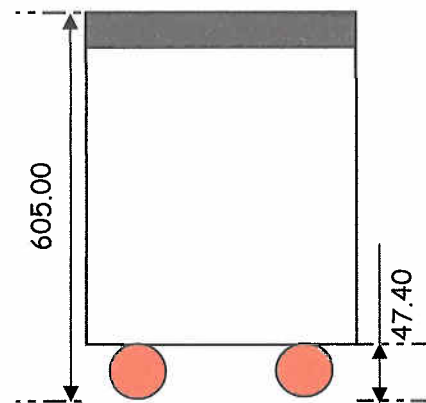
F LEVELLERS AT LOWEST POINT



F LEVELLERS AT HIGHEST POINT

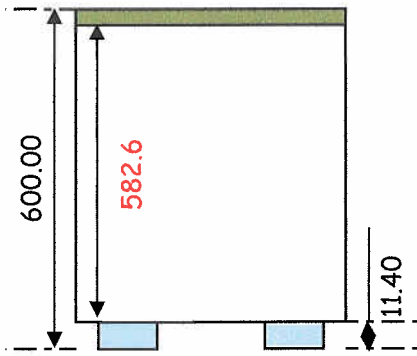


M CASTOR

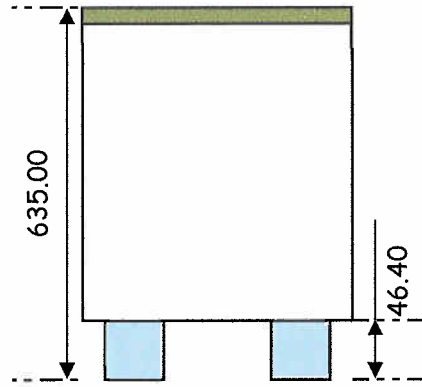


J CASTOR

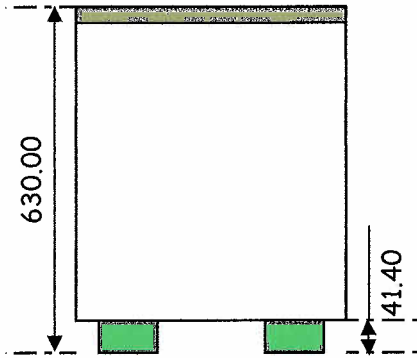
11 Mod Pedestal with 6mm Top Panel



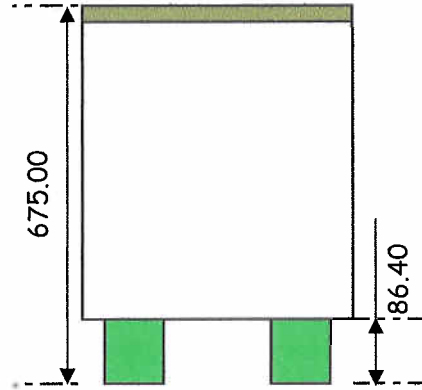
G LEVELLERS AT LOWEST POINT



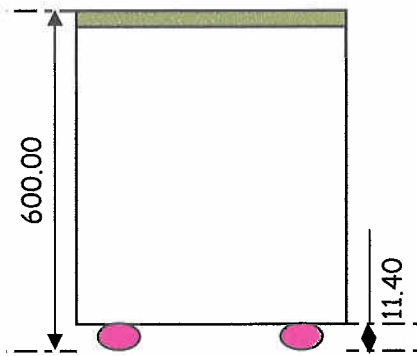
G LEVELLERS AT HIGHEST POINT



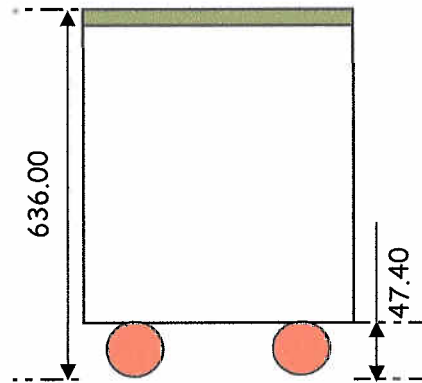
F LEVELLERS AT LOWEST POINT



F LEVELLERS AT HIGHEST POINT

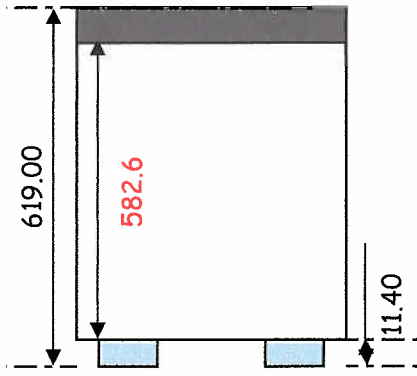


M CASTOR

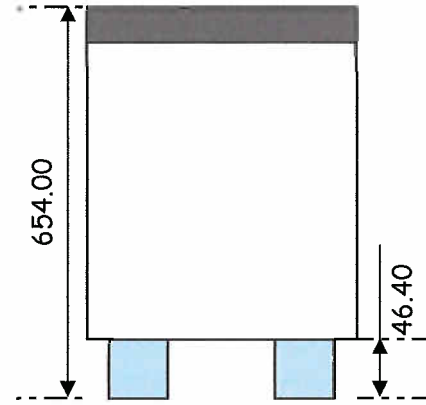


J CASTOR

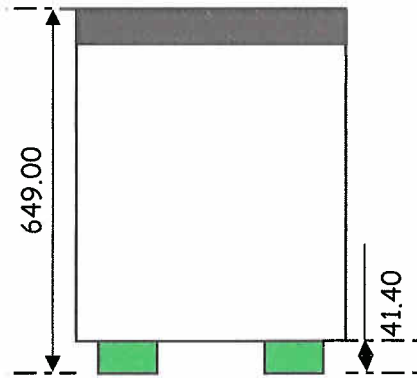
11 Mod Pedestal with 25mm Top Panel



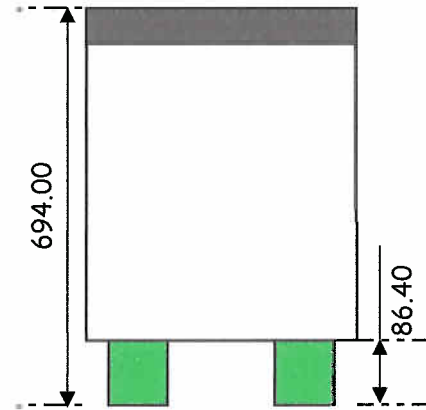
G LEVELLERS AT LOWEST POINT



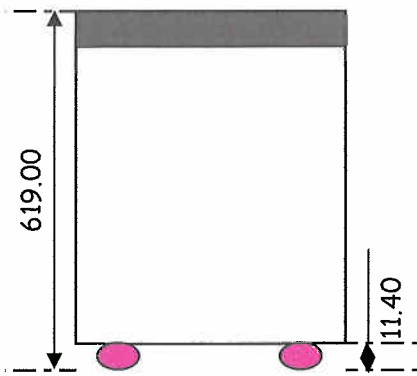
G LEVELLERS AT HIGHEST POINT



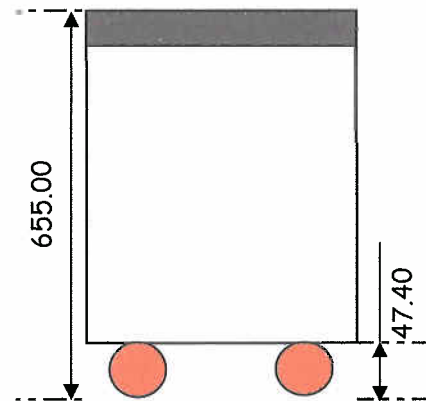
F LEVELLERS AT LOWEST POINT



F LEVELLERS AT HIGHEST POINT

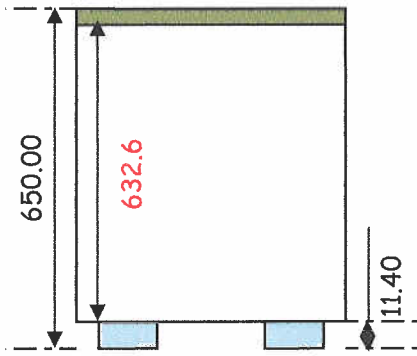


M CASTOR

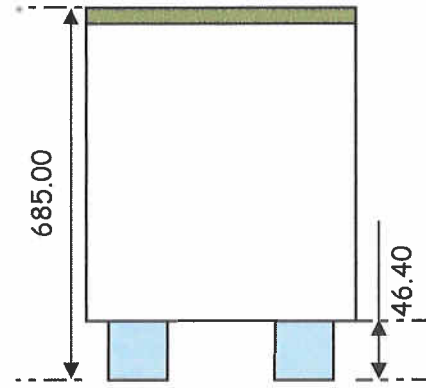


J CASTOR

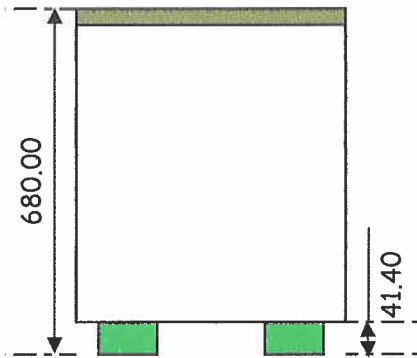
12 Mod Pedestal with 6mm Top Panel



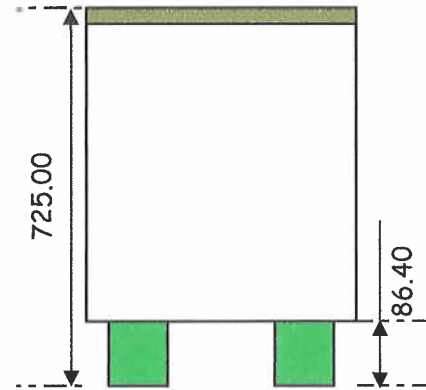
G LEVELLERS AT LOWEST POINT



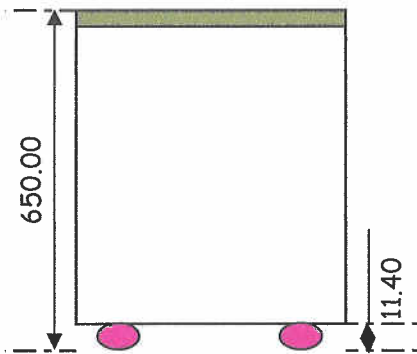
G LEVELLERS AT HIGHEST POINT



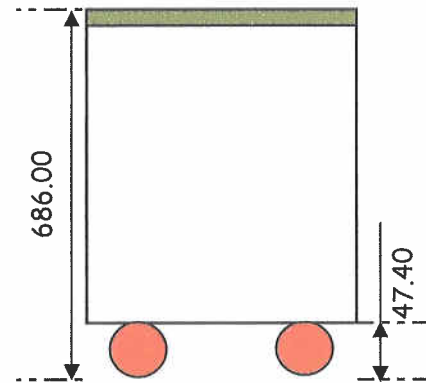
F LEVELLERS AT LOWEST POINT



F LEVELLERS AT HIGHEST POINT

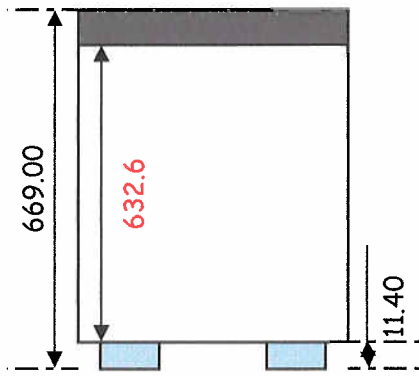


M CASTOR

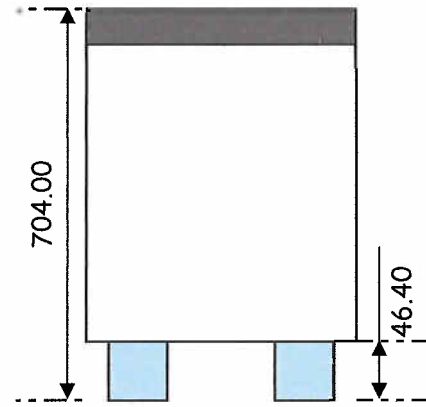


J CASTOR

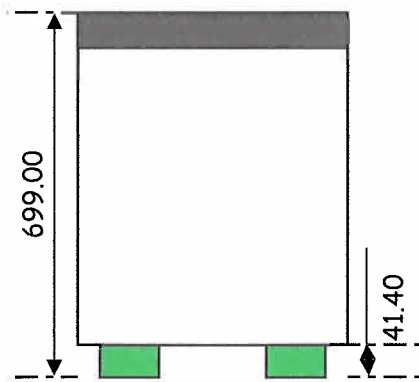
12 Mod Pedestal with 25mm Top Panel



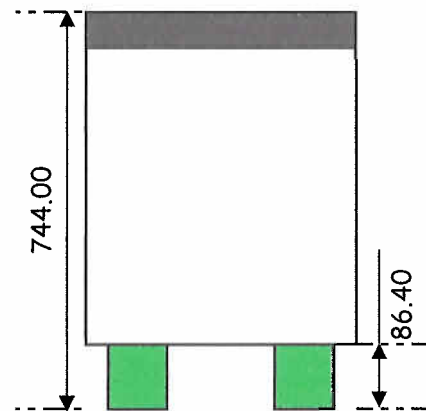
6 LEVELLERS AT LOWEST POINT



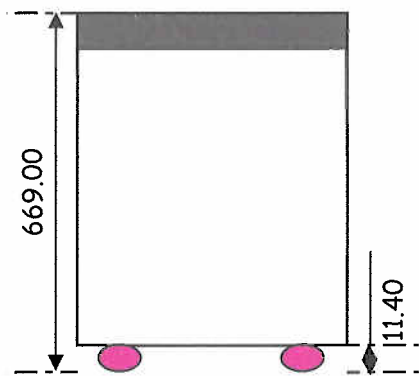
6 LEVELLERS AT HIGHEST POINT



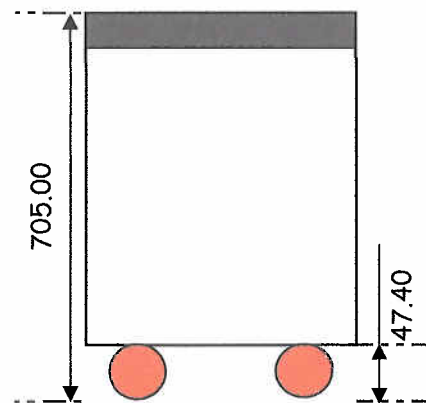
F LEVELLERS AT LOWEST POINT



F LEVELLERS AT HIGHEST POINT

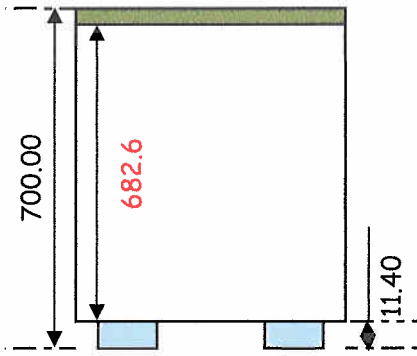


M CASTOR

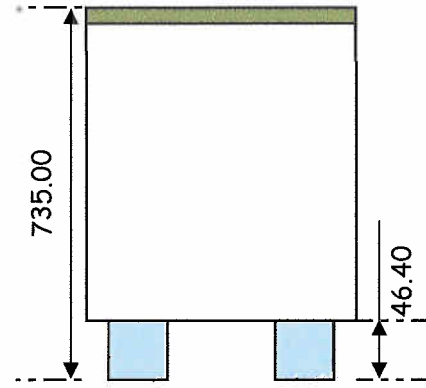


J CASTOR

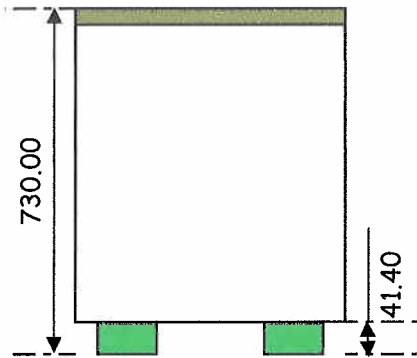
13 Mod Pedestal with 6mm Top Panel



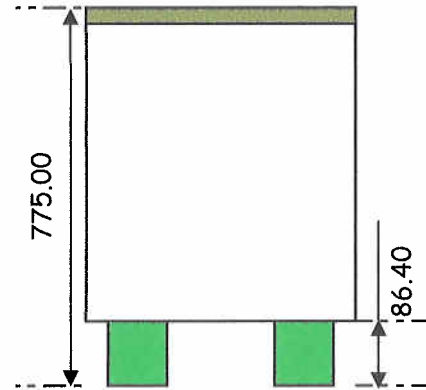
G LEVELLERS AT LOWEST POINT



G LEVELLERS AT HIGHEST POINT



F LEVELLERS AT LOWEST POINT



F LEVELLERS AT HIGHEST POINT