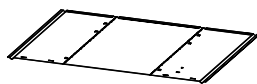
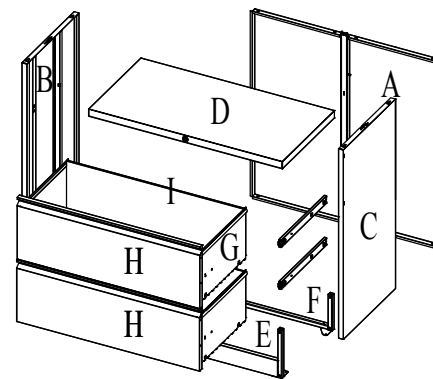


# Assemble instruction

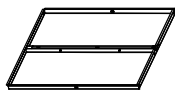
G×2



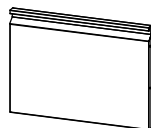
# List of carcass parts



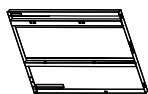
A×1



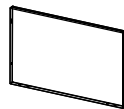
H×2



B×1



I×2



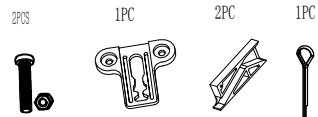
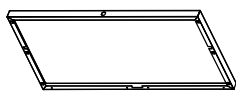
C×1



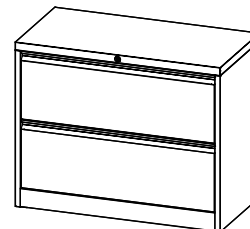
ST4.2X8 8PCS ST4.8X12 4PCS ST2.9×8 2PCS Plastic clip 2PCS



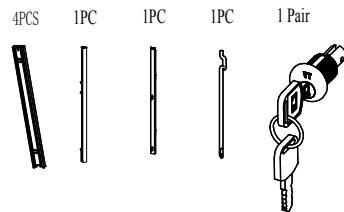
D×1



# Finish



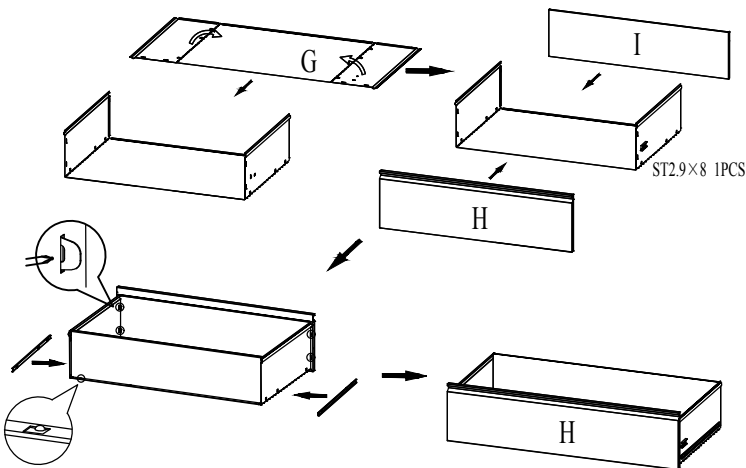
E×1



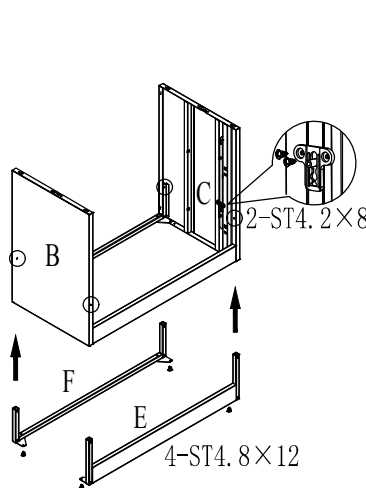
F×1



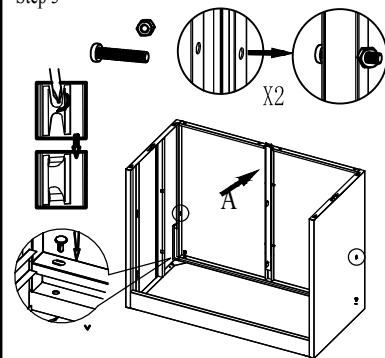
Step 1



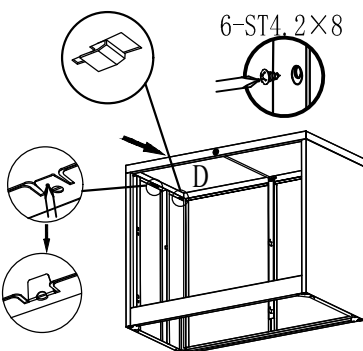
Step 2



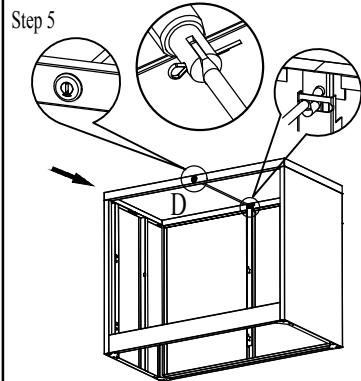
Step 3



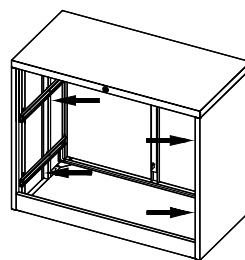
Step 4



Step 5



Step 6



Step 7

