

1 2 3 4 5 6 7 8

A

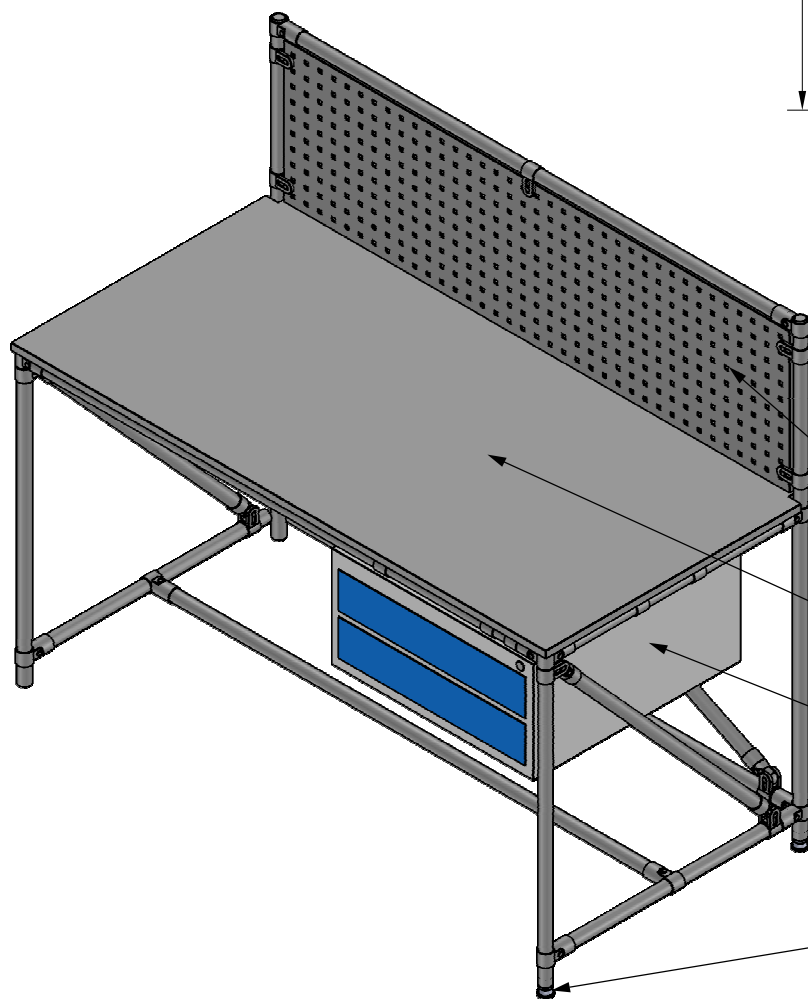
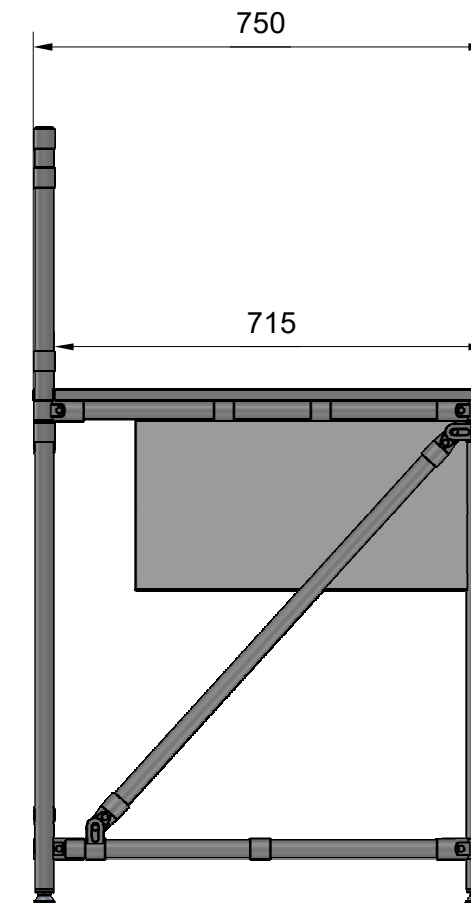
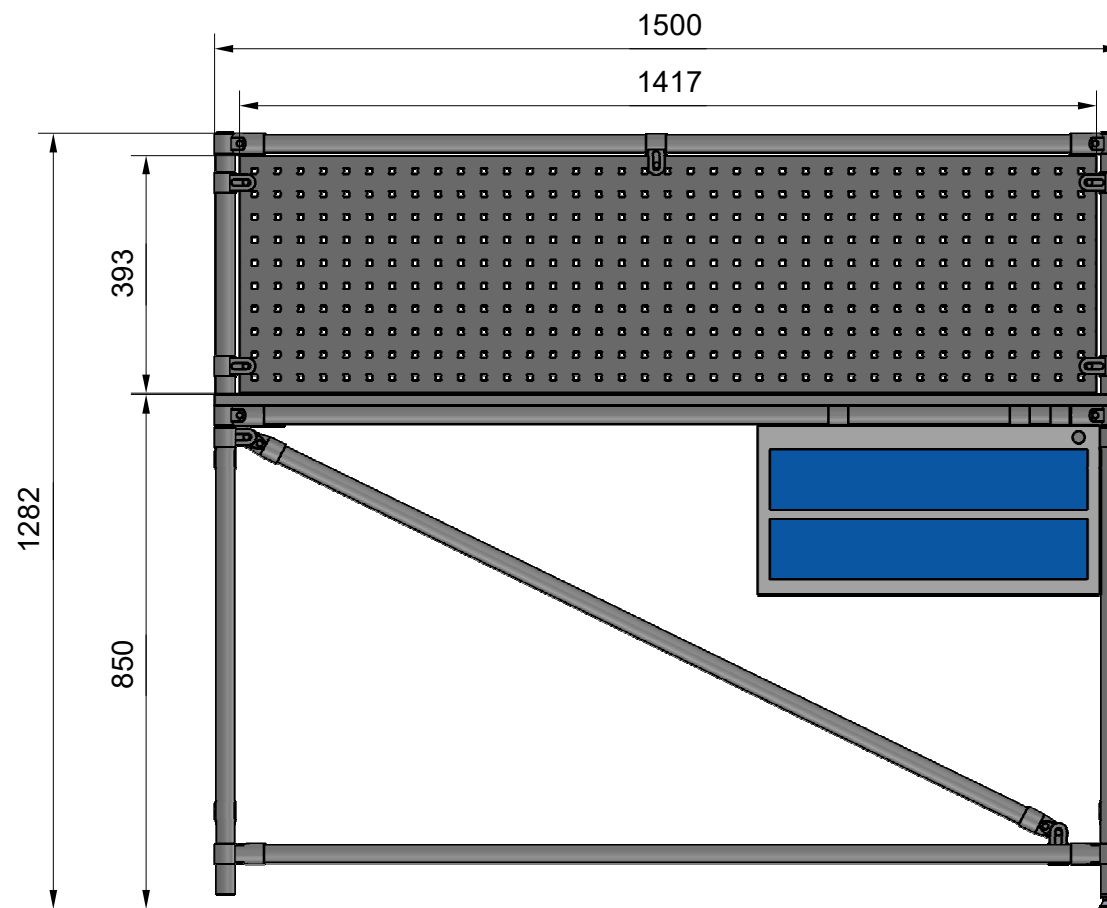
B

C

D

E

F



Perfopanel 1419x393mm

Dřevotřísková deska oboustranně laminovaná v dekoru 112 Kamenná šedá

Stolový kontejner XB20-2TG

4x stavitelné nožičky

Workshop accuracies for general tolerances - Tolerances for length and angle dimensions; DIN ISO 2768-1-v
-Machining details and finish classification to DIN ISO 1302

E	Total load capacity*: 100 kg (Celková nosnost:*)		Load capacity - floor*: (nosnost na patro:*)	
	Scale	A3	Drawn Kempný	Checked Dat. 08.04.2024
Title Enprag			Sheet 1 of 1	Rev. A00
Title Díleňský stůl s perfopanelem			Doc.Nr 24040832	

This document is the sole property of Enprag s.r.o. and may not be copied, duplicated, used or given to third parties without the written permission from Enprag s.r.o. Misuse is subject to penalties and will be legally pursued

Tolerances for shape and condition:
- DIN ISO 2768-2-K
Tolerancing:
- DIN 7167

1 2 3 4 5 6 7 8