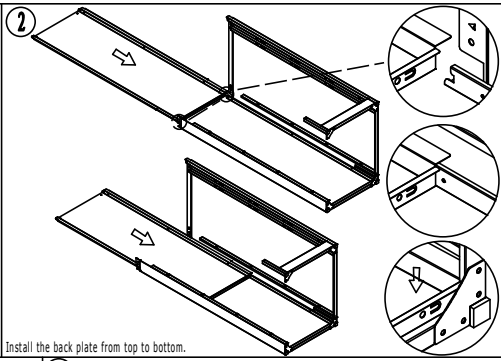
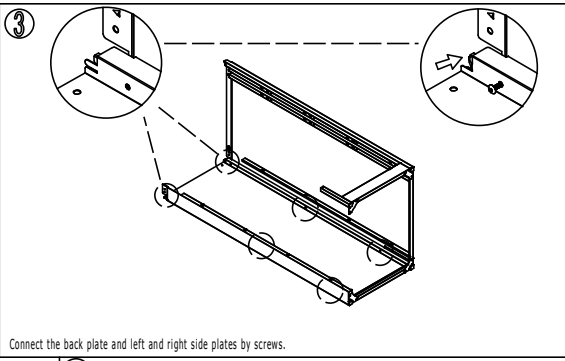


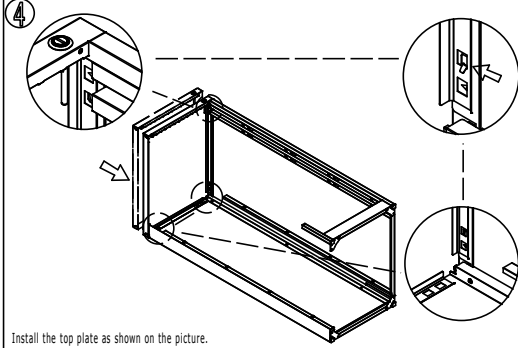
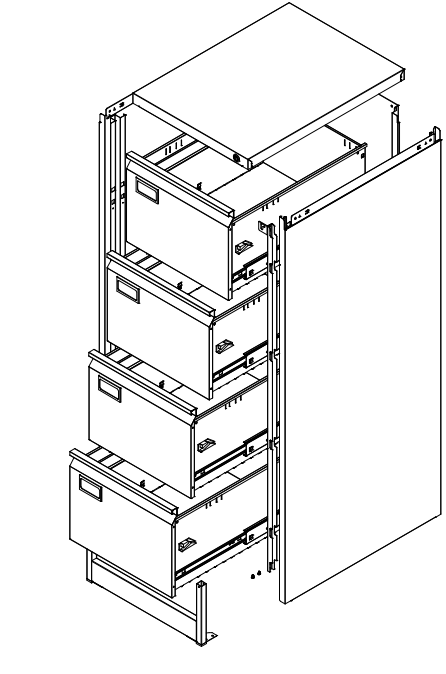
Connect the front and back insert with left and right side plates by screws.



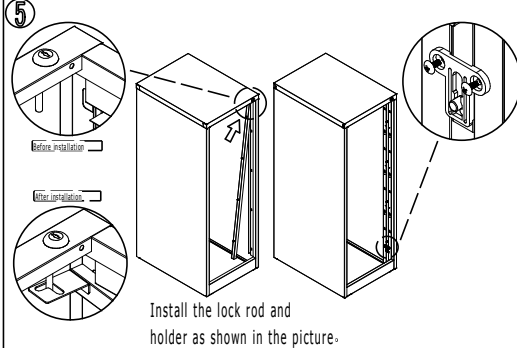
Install the back plate from top to bottom.



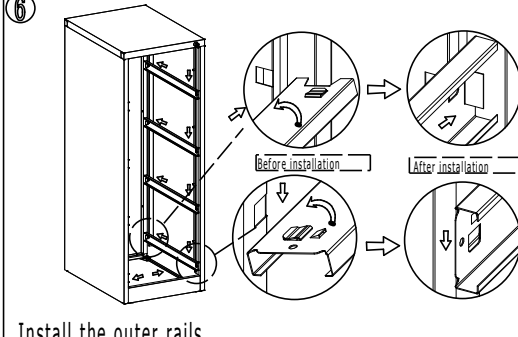
Connect the back plate and left and right side plates by screws.



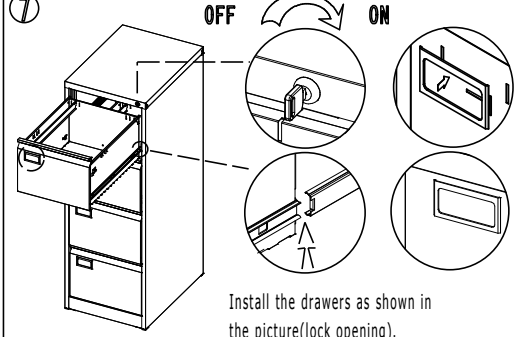
Install the top plate as shown on the picture.



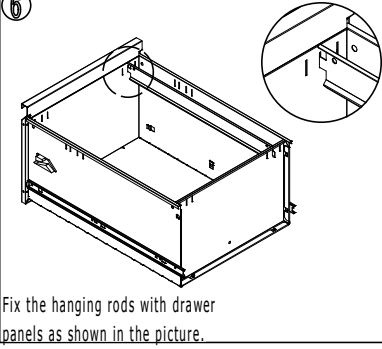
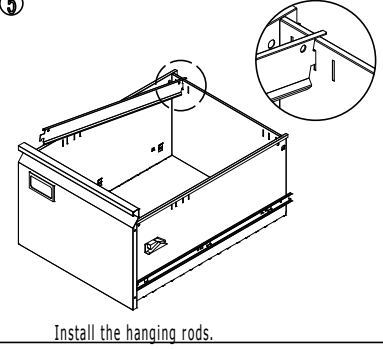
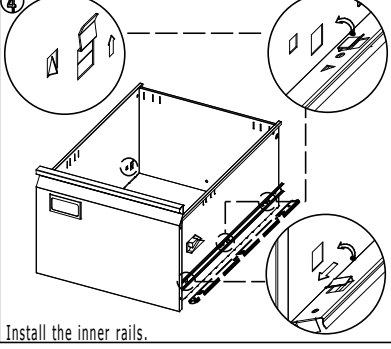
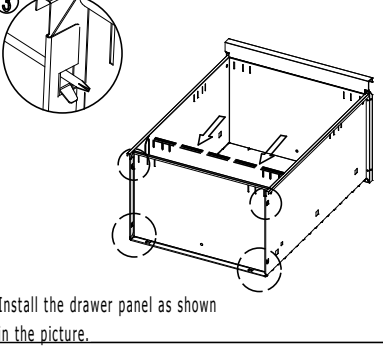
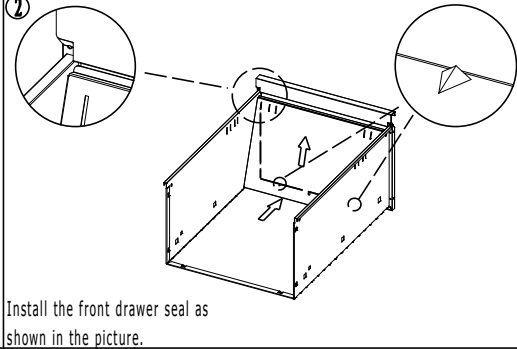
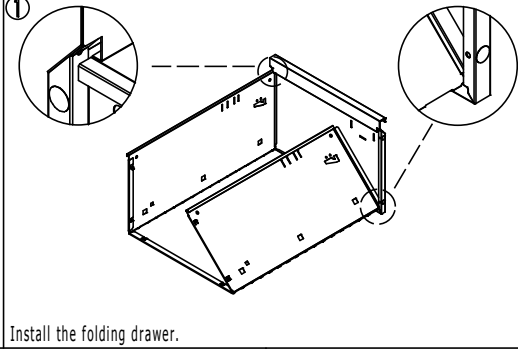
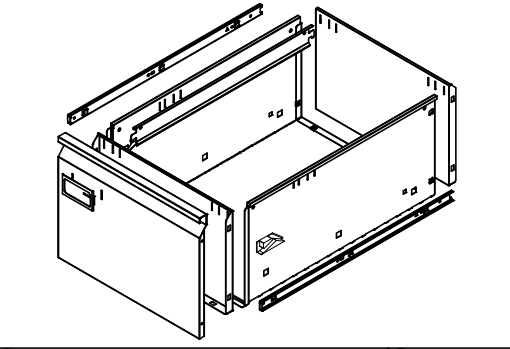
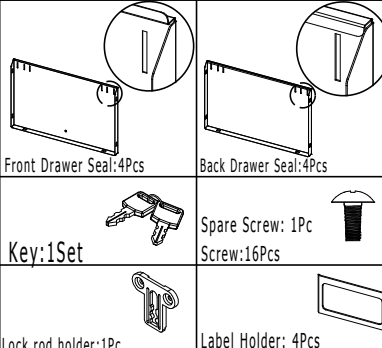
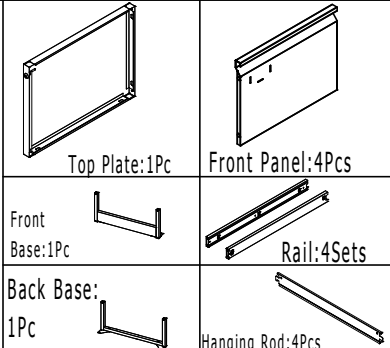
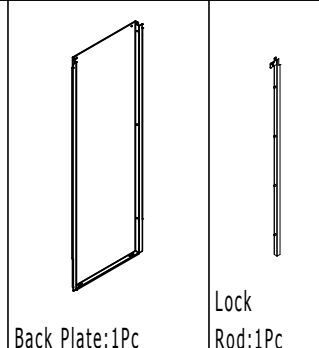
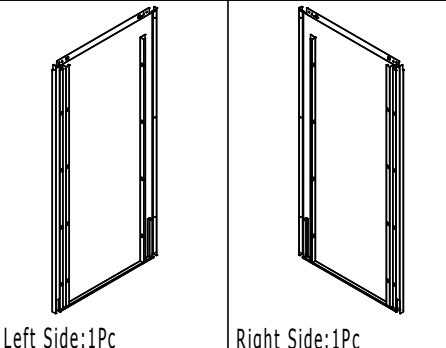
Install the lock rod and holder as shown in the picture.



Install the outer rails.



Install the drawers as shown in the picture (lock opening).



Install the drawer panel as shown in the picture.

Install the inner rails.

Install the hanging rods.

Fix the hanging rods with drawer panels as shown in the picture.