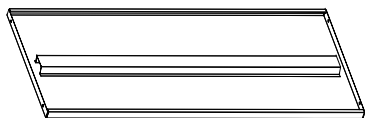
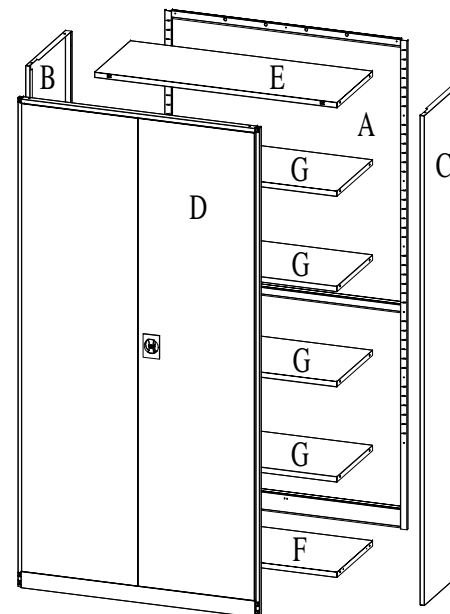


Assemble instruction

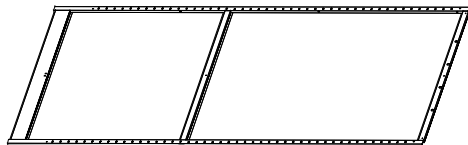
G×4



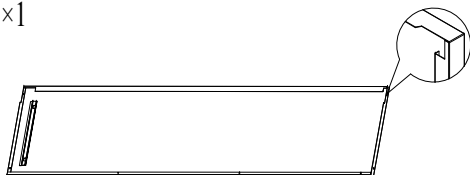
List of carcass parts



A×1



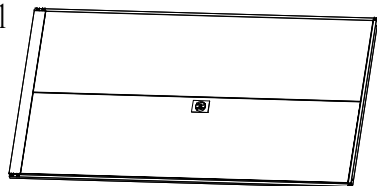
B×1



C×1



D×1



Plastic clip
1 PCS



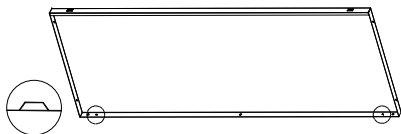
16PCS



16 PCS



E×1



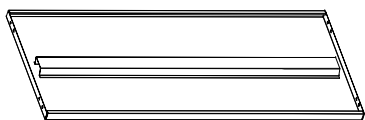
2 PCS



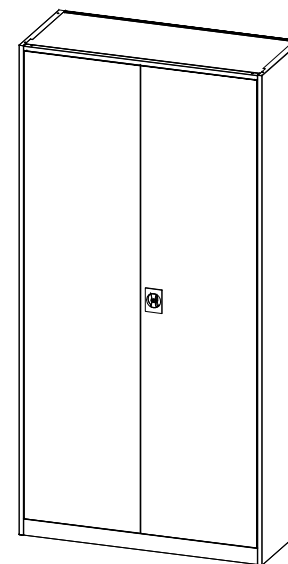
1 Pair



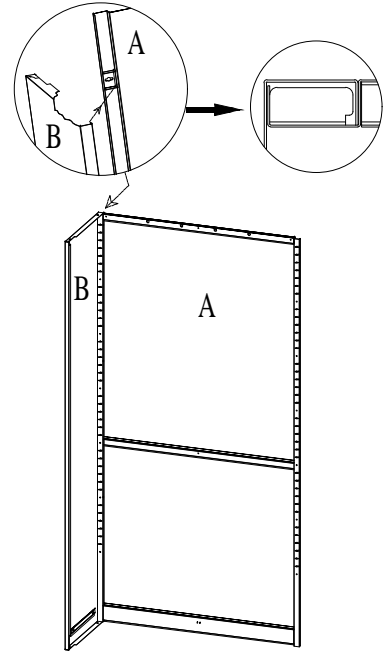
F×1



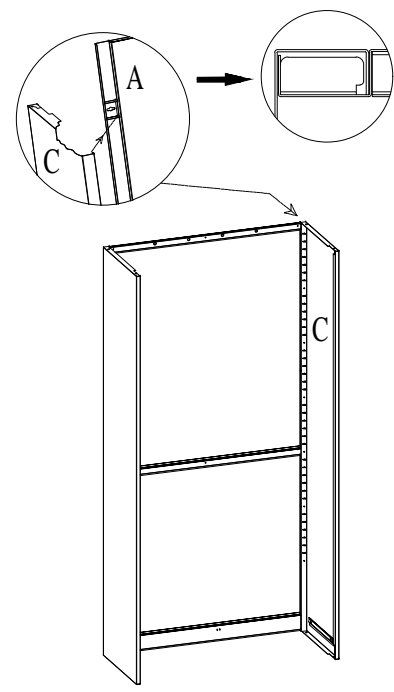
Finish



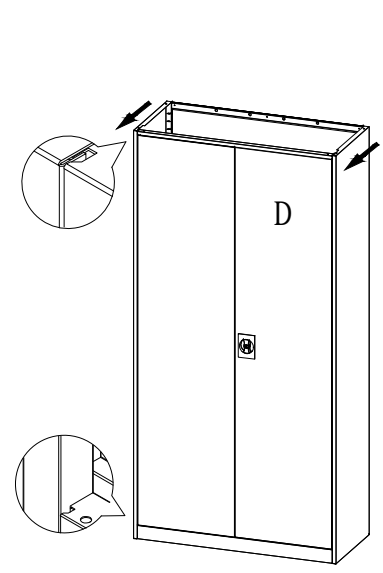
Step 1



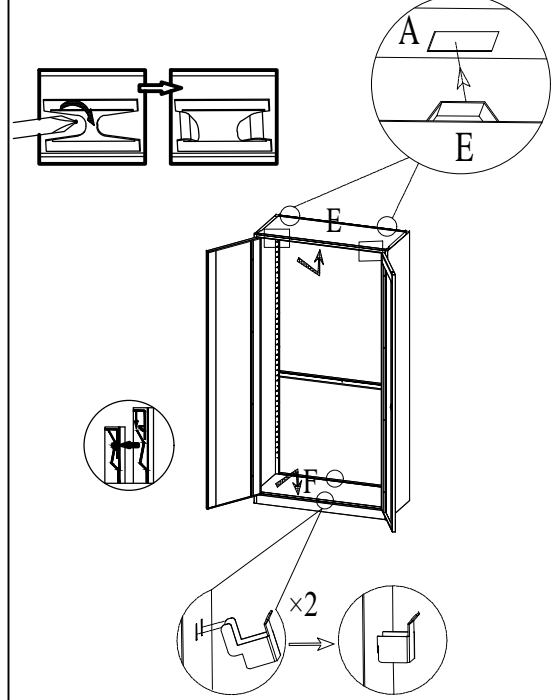
Step 2



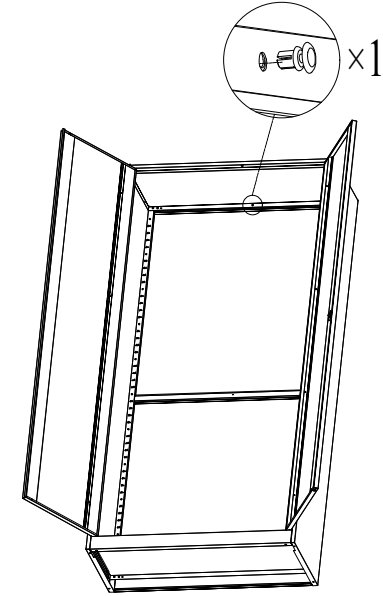
Step 3



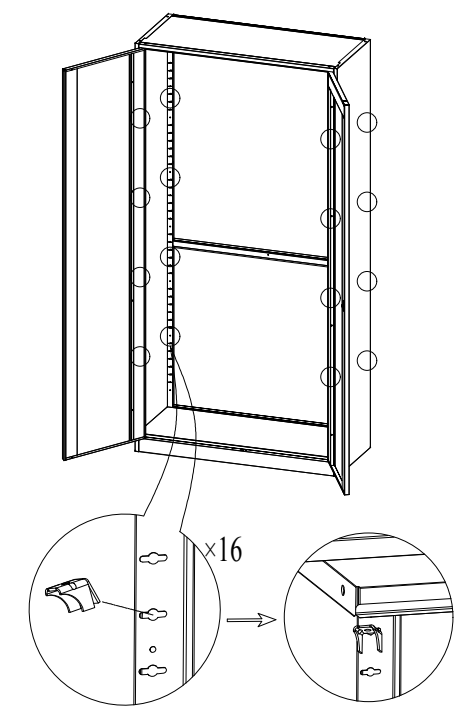
Step 4



Step 5



Step 6



Step 7

