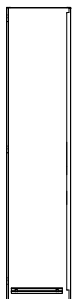
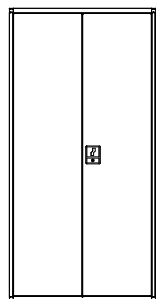


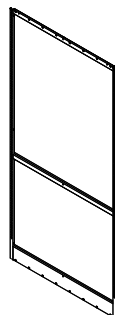
Left Side:1Pc



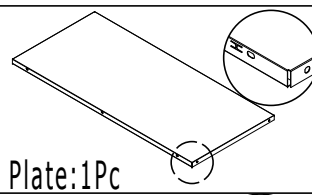
Right Side:1Pc



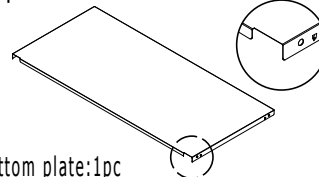
Door Frame:1Pc



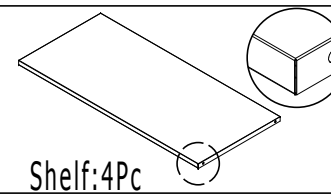
Back Plate:1Pc



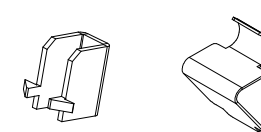
Top Plate:1Pc



Bottom plate:1pc



Shelf:4Pc

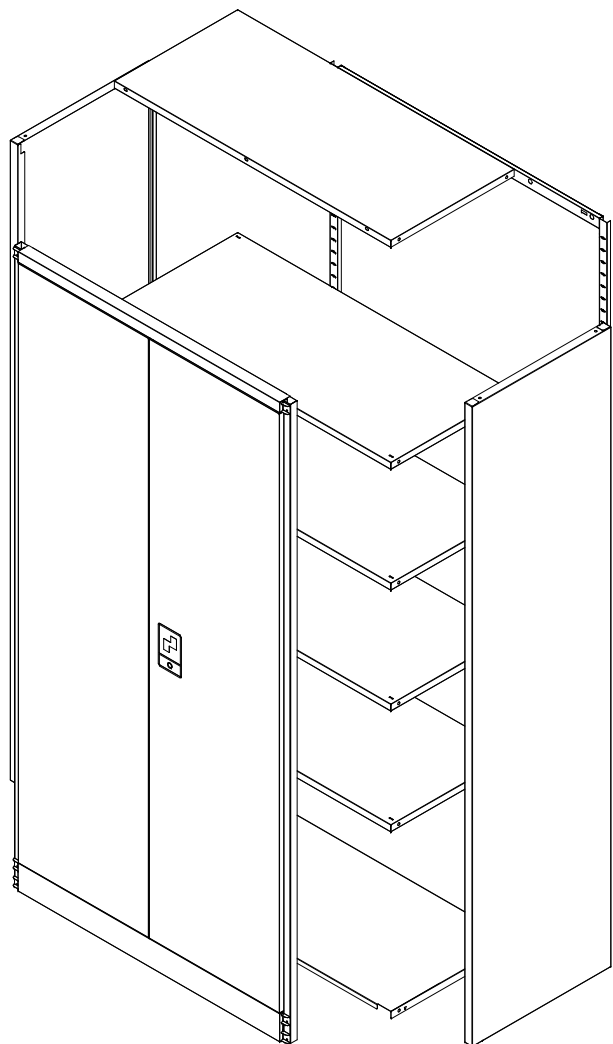


Shelf Holder:16pcs

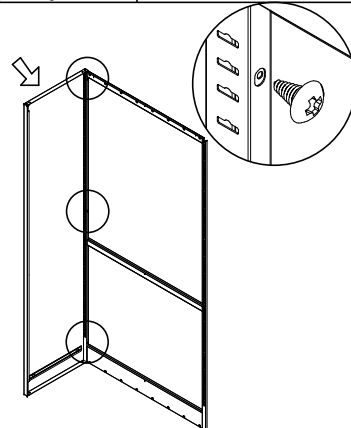
Self-tapping
Screw(5x12):12Pcs



Key:1 Set

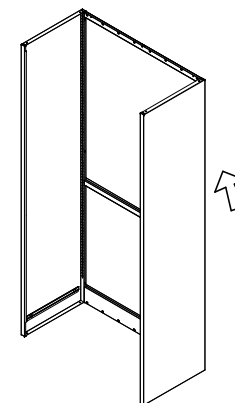


①



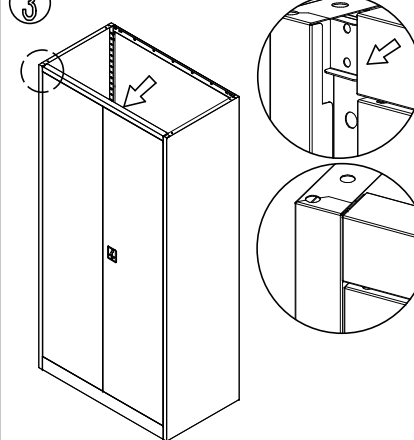
Bolt the left side and back plate with self-tapping screws(5x12).

②



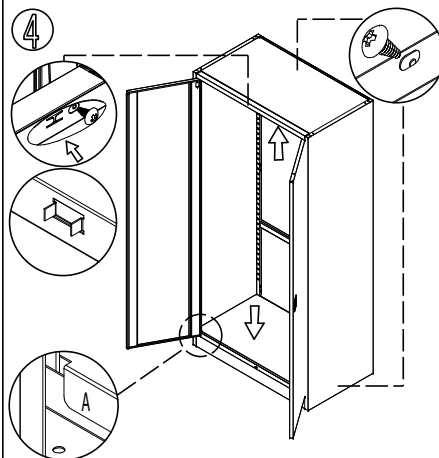
Bolt the right plate and back plate in the same way as the first step.

③



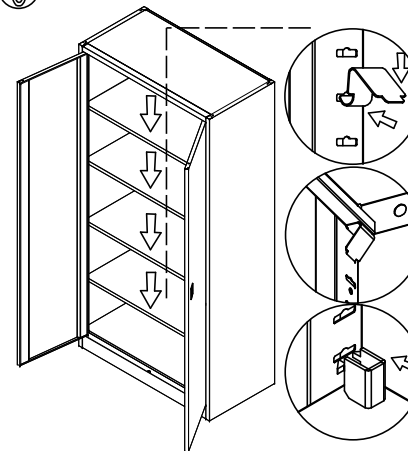
Fix the door frame onto both of the side plates.

④



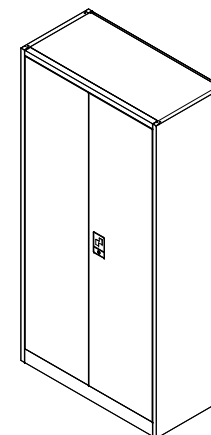
Install the top and bottom plate respectively.

⑤



Install the shelves.

⑥



Adjust each parts till fit well after installation.